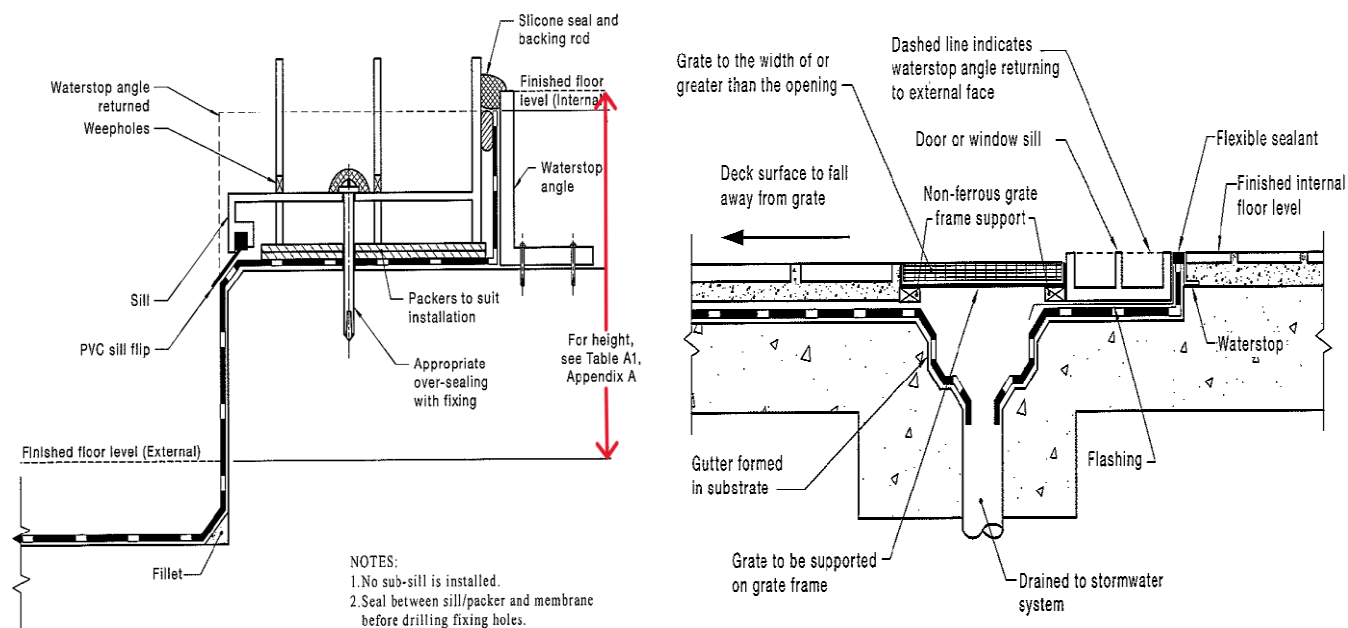


## Door Opening Set Downs

Non-Compliant Door Opening Set Downs onto external waterproofed areas are a constant and ongoing problem that is caused by design choices that prioritize minimal step downs or level transitions. This issue can be addressed onsite by consulting with the builder during the pre-door flashing installation process.

### Requirements:

- A sub-sill flashing shall be included as part of the waterproofing system.
- A waterstop angle shall be placed behind the door at the required height to achieve the required minimal step down as per the table below.
- The most common wind class is N2, which requires a 50mm step down between the finished deck surface and the top of the waterstop angle. This can typically be achieved by adjusting the height of the waterstop angle. It is important to confirm the specific wind class required with the builder and refer to the table below for guidance.
- Minimal Step Downs and Level transitions. Where a minimal step-down or level transition is required (such as for accessibility reasons), a strip drain must be installed immediately in front of the door for the entire length of the opening to be compliant.
- Finished Deck Surfaces – All finished deck surfaces must fall away from the door openings at a grade of not less than 1:100 to be compliant.



### VERTICAL UPWARD TERMINATION HEIGHTS

Wind class Regions A and B (non-cyclonic) AS 4055	Wind class Regions A and B (non-cyclonic) AS 4055	Ultimate limit state wind speed (Vh,u) AS/NZ 1170.2	Termination height mm
N1	-	34	40
N2	-	40	50
N3	C1	50	70
N4	C2	61	100
N5	C3	74	150
N6	C4	86	180